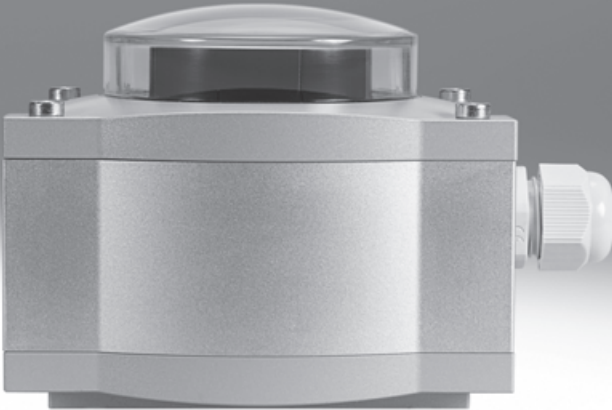


Sensor boxes SRAP, analogue



Sensor boxes SRAP, analogue

Key features

FESTO

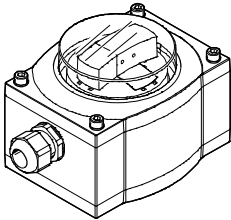
General information

Analogue sensor box for greater functionality. The analogue sensor box monitors the position of semi-rotary actuators and reports this back to the controller via an analogue 4 ... 20 mA output signal.

Advantages

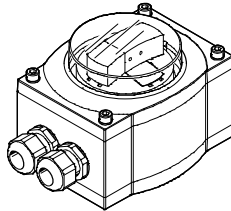
- Simple mounting and commissioning: with teach-in function for flexible adjustment of the zero point within a range from 0 – 270°
- Everything in view, including from a distance: colour-based indication of the current position of the semi-rotary actuator
- Innovative and intelligent: homing to the actual swivel angle makes optimum use of the initial range
- Sturdy and explosion-proof: a match for even harsh, corrosive and potentially explosive environments thanks to corrosion-resistant and waterproof metal housing
- Insensitive to vibration. Always supplies a stable signal as there is no contact between the shaft and sensor
- Quick and easy integration in existing systems thanks to the industrial analogue output signal
- Cost and time savings thanks to the common power supply for the sensor box and solenoid valve
- Cost-efficient regulation in combination with 5/3-way valve compared with positioner solution
- Festo know-how in automation: concept and solution from a single source
- You can find information on the media resistance of the product at → www.festo.com

1 cable connector



- Power supply for sensor box only

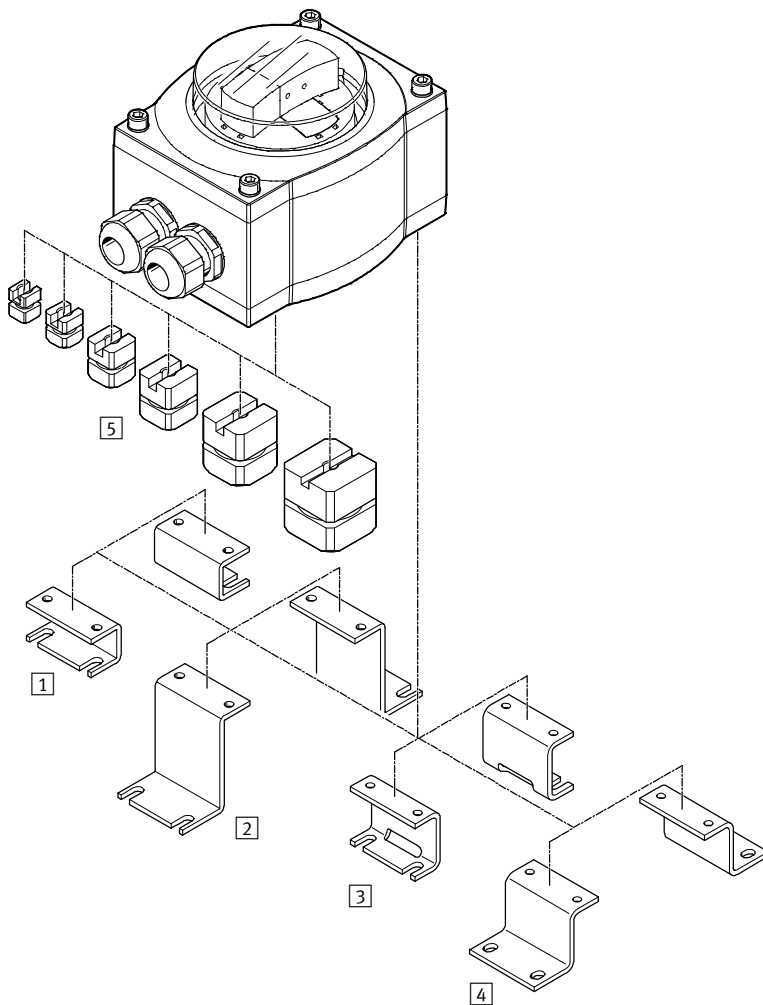
2 cable connectors



- Common power supply for sensor box and solenoid valve

Sensor boxes SRAP, analogue

Peripherals overview



Mounting attachments and accessories			
	Brief description	→ Page/Internet	
1	Adapter kit DASB-P1-HA-SB	Hole pattern 30x80 mm, height 20 mm	9
2	Adapter kit DASB-P1-HL-SB	Hole pattern 30x130 mm, height 50 mm	9
3	Adapter kit DASB-P1-HB-SB	Hole pattern 30x80 mm, height 30 mm	9
4	Adapter kit DASB-P1-HC-SB	Hole pattern 30x130 mm, height 30 mm	9
5	Coupling DARQ-C-S9	For direct mounting of sensor boxes SRAP	9
	Coupling DARQ-C-S11	For direct mounting of sensor boxes SRAP	9
	Coupling DARQ-C-S14	For direct mounting of sensor boxes SRAP	9
	Coupling DARQ-C-S17	For direct mounting of sensor boxes SRAP	9
	Coupling DARQ-C-S22	For direct mounting of sensor boxes SRAP	9
	Coupling DARQ-C-S27	For direct mounting of sensor boxes SRAP	9

Sensor boxes SRAP, analogue

Type codes

SRAP - M - CA1 - BB270 - 1 - A - T2P20 - EX2

Function

SRAP	Analogue sensor box
------	---------------------

Product version

M	Primarily metal
---	-----------------

Design

C	Sensor box
---	------------

Mechanical interface

A1	Direct mounting, hole pattern 30x80 mm
----	---

Indicator type

-	No indicator
BB	Blue/black position indicator
GR	Green/red position indicator
YB	Yellow/black position indicator

Measuring range

270	0 ... 270°
-----	------------

Nominal operating voltage

1	24 V DC
---	---------

Electrical output

A	4 ... 20 mA
---	-------------

Electrical connection

T	Terminal box
---	--------------

Valve connection

-	None
2	With valve connection

Cable connector

M20	M20x1.5, metal
P20	M20x1.5, polymer

Temperature range

-	Standard -20 ... +80 °C
---	-------------------------

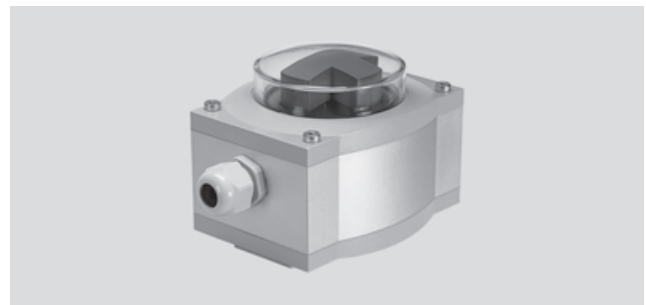
EU certification

-	None
EX2	II 3GD

Sensor boxes SRAP, analogue

Technical data

- The analogue sensor box not only reports the open/closed position of the semi-rotary actuator, but also detects the entire swivel range and reports this back to the controller via an analogue signal
- The integrated sensors are based on proven 2D Hall technology



General technical data		
Adjustment range for angle detection	[°]	0 ... 270
Based on standard		VDI/VDE 3845 (NAMUR)
Design		Angular
Mounting position		Any
Measured variable		Swivel angle
Measuring principle		Magnetic Hall
Adjustment options		Teach-in Teach-in via electrical connection
Idle current	[mA]	12 ... 20
Analogue output	[mA]	4 ... 20
Repetition accuracy of analogue output		+/- 1 deg
Operating voltage range	Direct voltage DC	[V] 15 ... 30
Insulation voltage		[V] 50
Surge capacity		[kV] 0.8
Protection against short circuit		Yes
Protection against overloading		Yes
Reverse polarity protection		For all electrical connections
Electrical connection		9-pin Screw terminal Plug-in
Cable connector		M20x1.5
Max. cable length	[m]	30
Permissible cable diameter	[mm]	5 ... 13
Connectable nominal conductor cross section	[mm ²]	2.5
Product weight	[g]	1000
Housing material		Wrought aluminium alloy
Note on materials		RoHS-compliant

Sensor boxes SRAP, analogue

Technical data

Operating and environmental conditions	
Certification	C-Tick
	c UL us - Recognized (OL)
	RCM trademark
Ambient temperature [°C]	-20 ... +80 °C
Protection class	IP65
CE mark (see declaration of conformity)	To EU EMC Directive
Electrical protection class	III
Degree of contamination	3
Corrosion resistance class CRC ¹⁾	3

- 1) Corrosion resistance class 3 according to Festo standard 940 070
 Components subject to high corrosion stress. External visible parts in direct contact with industrial atmospheres or media such as solvents and cleaning agents, with a predominantly functional requirement for the surface.

Operating and environmental conditions with explosion protection	
Certification	C-Tick
	c UL us - Recognized (OL)
	RCM trademark
Ambient temperature [°C]	-20 ... +80 °C
Protection class	IP65
CE mark (see declaration of conformity)	To EU EMC Directive
	To EU Explosion Protection Directive (ATEX)
ATEX category for gas	II 3G
Explosion ignition protection type for gas	Ex nA IIC T5 X Gc
ATEX category for dust	II 3D
Explosion ignition protection type for dust	Ex tc IIIC T90°C X Dc IP65
Explosion-proof ambient temperature	-20 °C ≤ Ta ≤ +80 °C
Explosion protection certification outside the EU	EPL Dc (RU)
	EPL Gc (RU)
Electrical protection class	III
Degree of contamination	3
Corrosion resistance class CRC ¹⁾	3

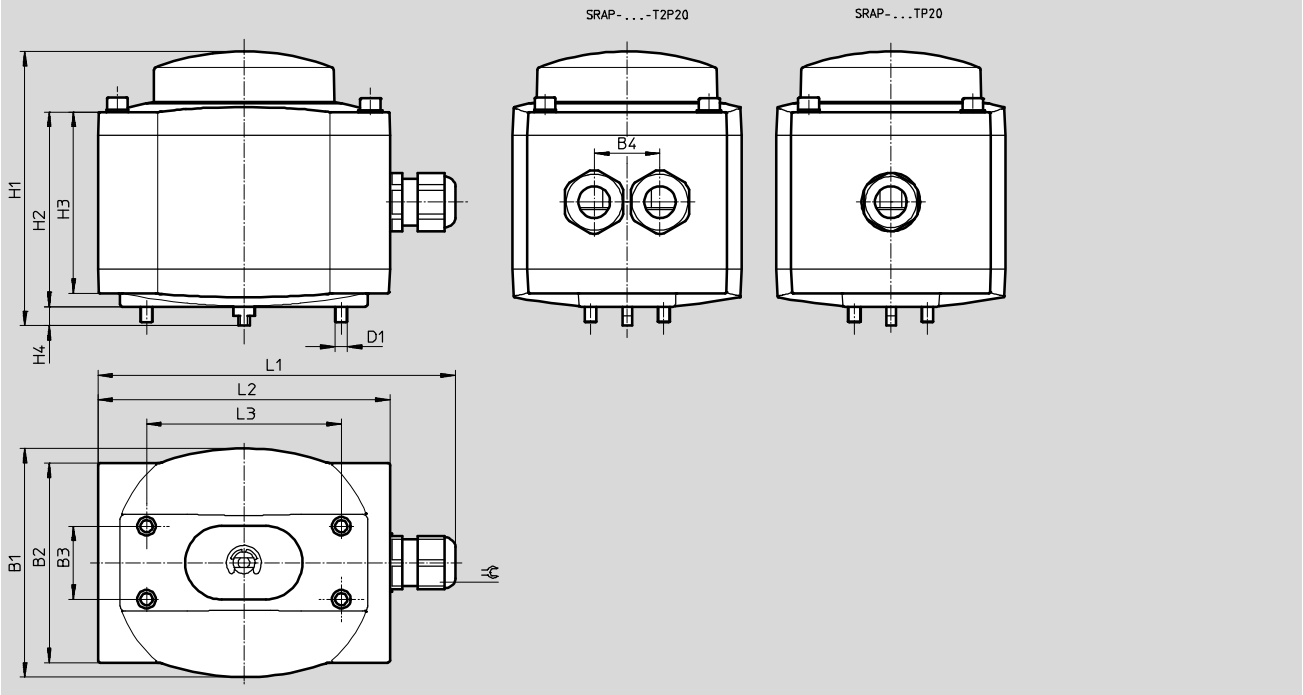
- 1) Corrosion resistance class 3 according to Festo standard 940 070
 Components subject to high corrosion stress. External visible parts in direct contact with industrial atmospheres or media such as solvents and cleaning agents, with a predominantly functional requirement for the surface.

Sensor boxes SRAP, analogue

Technical data

Dimensions

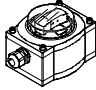
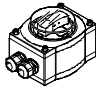
Download CAD data → www.festo.com

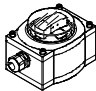
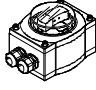


Type	B1	B2 ±1	B3	B4	D1	H1	H2	H3	H4	L1	L2 ±1	L3	⌀	
SRAP-M-CA1-BB270-1-A-TP20	94	82	30	-	M5	112.7	80	74.5	7.8	148	120	80	24	
SRAP-M-CA1-BB270-1-A-TP20-EX2										147			22	
SRAP-M-CA1-GR270-1-A-TM20													148	24
SRAP-M-CA1-GR270-1-A-TP20										147				22
SRAP-M-CA1-GR270-1-A-TP20-EX2														148
SRAP-M-CA1-YB270-1-A-TM-20										147				
SRAP-M-CA1-YB270-1-A-TP-20				148									24	
SRAP-M-CA1-YB270-1-A-TP-20-EX2										148				24
SRAP-M-CA1-GR270-1-A-T2P20														
SRAP-M-CA1-GR270-1-A-T2P20-EX2														
SRAP-M-CA1-270-1-A-T2P20														
SRAP-M-CA1-270-1-A-T2P20-EX2														
SRAP-M-CA1-270-1-A-T2P20-EX2														

Sensor boxes SRAP, analogue

Technical data

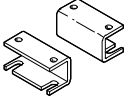
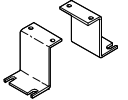
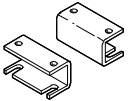
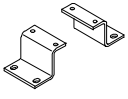



Ordering data – Sensor boxes SRAP, analogue without explosion protection			
	Position indicator	Part No.	Type
	Blue/black	568236	SRAP-M-CA1-BB270-1-A-TP20
	Red/green	568238	SRAP-M-CA1-GR270-1-A-TM20
	Red/green	568239	SRAP-M-CA1-GR270-1-A-TP20
	Yellow/black	568242	SRAP-M-CA1-YB270-1-A-TM20
	Yellow/black	568243	SRAP-M-CA1-YB270-1-A-TP20
	Red/green	568246	SRAP-M-CA1-GR270-1-A-T2P20
	No indicator	570527	SRAP-M-CA1-270-1-A-T2P20

Ordering data – Sensor boxes SRAP, analogue with explosion protection			
	Position indicator	Part No.	Type
	Blue/black	568237	SRAP-M-CA1-BB270-1-A-TP20-Ex2
	Red/green	568241	SRAP-M-CA1-GR270-1-A-TP20-Ex2
	Yellow/black	568245	SRAP-M-CA1-YB270-1-A-TP20-Ex2
	Red/green	568247	SRAP-M-CA1-GR270-1-A-T2P20-Ex2
	No indicator	570528	SRAP-M-CA1-270-1-A-T2P20-Ex2

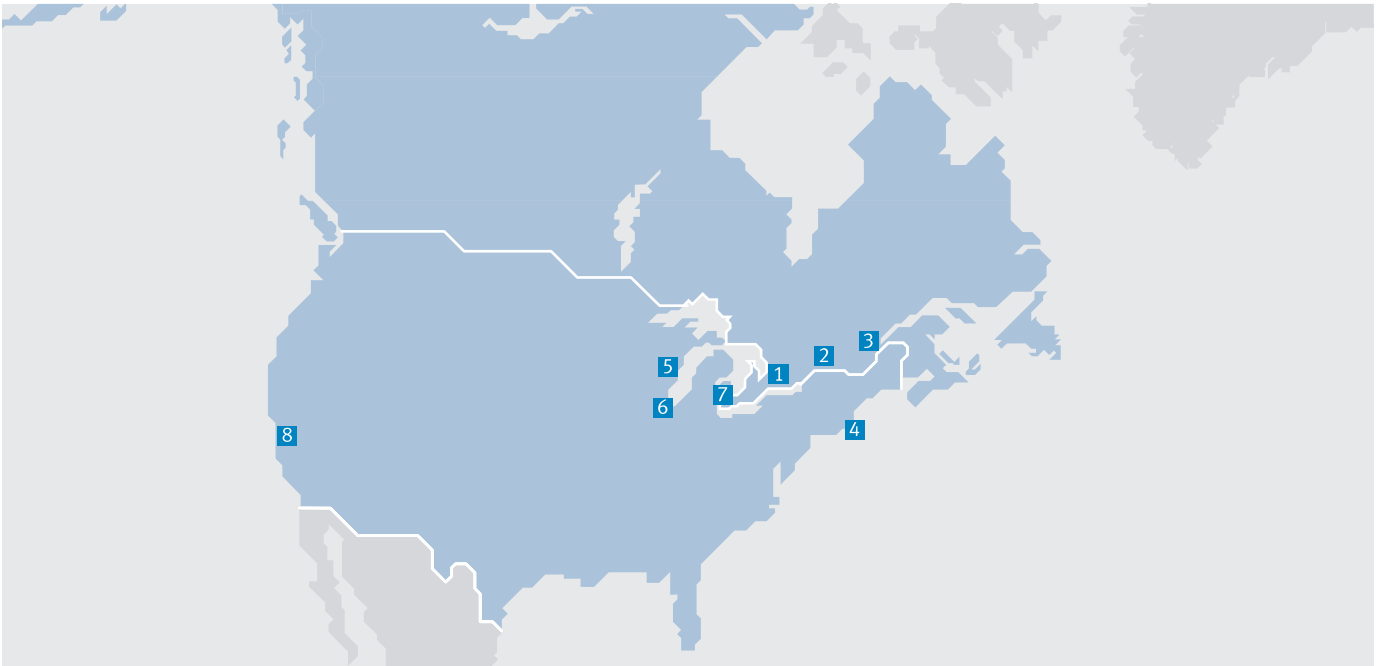
Sensor boxes SRAP, analogue

Accessories

FESTO

Dimensions and ordering data		Part No.	Type
Adapter kit			
	<ul style="list-style-type: none"> • Adapter kit for DAPS • Shaft height 20 mm, hole patterns 80x30 mm 	568275	DASB-P1-HA-SB
	<ul style="list-style-type: none"> • Adapter kit for third-party drives • Shaft height 50 mm, hole patterns 130x30 mm 	568276	DASB-P1-HL-SB
	<ul style="list-style-type: none"> • Adapter kit for DAPS • Shaft height 30 mm, hole patterns 80x30 mm 	572418	DASB-P1-HB-SB
	<ul style="list-style-type: none"> • Adapter kit for DAPS • Shaft height 30 mm, hole patterns 130x30 mm 	572419	DASB-P1-HC-SB
Couplings			
	Couplings for direct mounting of sensor boxes SRAP	568674	DARQ-C-S9
		568675	DARQ-C-S11
		568676	DARQ-C-S14
		568677	DARQ-C-S17
		568678	DARQ-C-S22
		568679	DARQ-C-S27
Cable connector			
	Polymer cable connector M20x1.5	568278	NETC-P-M20-P4
	Metal cable connector M20x1.5	568279	NETC-M-M20-P4

Festo North America



**1 Festo Canada
Headquarters
Festo Inc.**
5300 Explorer Drive
Mississauga, ON
L4W 5G4

2 Montréal
5600, Trans-Canada
Pointe-Claire, QC
H9R 1B6

3 Québec City
2930, rue Watt#117
Québec, QC
G1X 4G3



**4 Festo United States
Headquarters
Festo Corporation**
395 Moreland Road
Hauppauge, NY
11788

5 Appleton
North 922 Tower View Drive, Suite N
Greenville, WI
54942

7 Detroit
1441 West Long Lake Road
Troy, MI
48098

6 Chicago
85 W Algonquin - Suite 340
Arlington Heights, IL
60005

8 Silicon Valley
4935 Southfront Road, Suite F
Livermore, CA
94550

Festo Regional Contact Center

Canadian Customers

Commercial Support:
Tel: 1 877 GO FESTO (1 877 463 3786)
Fax: 1 877 FX FESTO (1 877 393 3786)
Email: festo.canada@ca.festo.com

Technical Support:
Tel: 1 866 GO FESTO (1 866 463 3786)
Fax: 1 877 FX FESTO (1 877 393 3786)
Email: technical.support@ca.festo.com

USA Customers

Commercial Support:
Tel: 1 800 99 FESTO (1 800 993 3786)
Fax: 1 800 96 FESTO (1 800 963 3786)
Email: customer.service@us.festo.com

Technical Support:
Tel: 1 866 GO FESTO (1 866 463 3786)
Fax: 1 800 96 FESTO (1 800 963 3786)
Email: product.support@us.festo.com